



**Evaluation Kit
Low Power Dual PLL Based EMI Reducing Solution with I2C**

Features

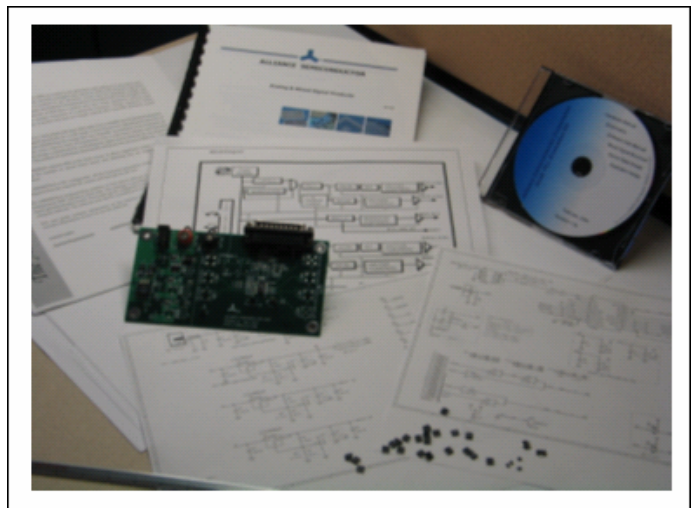
- Fully Evaluate the Alliance AS80M2516A Dual PLL Based EMI Reduction solution for clock synthesis.
- Operates with either 3.3V or 5V power supply.
- AS80M2516A Full feature set evaluation
- The Eval-Kit Includes:
 - Hardware Manual
 - Software (on CDROM)
 - Software Manual
 - Board Schematics
 - AS80M2516A Specifications
 - Applications information

The AS80M2516A uses the most efficient and optimized modulation profile approved by the FCC.

Full control and configuration of all outputs is made available by the evaluation kit to emulate your design requirements and evaluate the results for optimization of the final design towards functionality and maximum efficiency (timing margins).

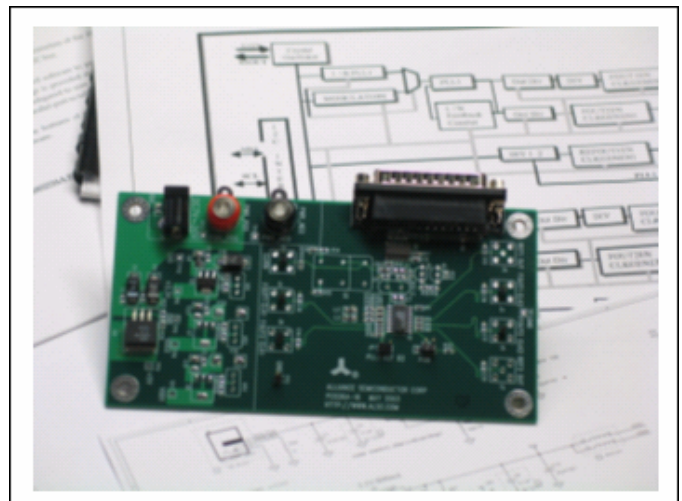
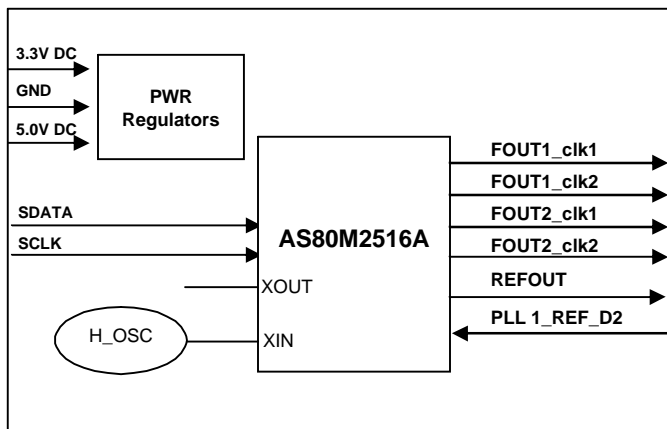
Product Description

The ASM2516EVAL-KIT is designed specifically for a full and complete evaluation of the Alliance Semiconductor AS80M2516A Dual PLL based EMI Reduction clock synthesizer/generator. The AS80M2516A is designed to reduce electromagnetic interference (EMI) at the clock source, allowing system wide reduction of EMI of all clock dependent signals.



The Evaluation Kit includes software to configure the AS80M2516A on board for full evaluation of the complete feature set of this versatile clock generation solution.

Block Diagram





rev 1.1

Contact your local Alliance Distributor or contact Alliance via our Website at www.alsc.com for more information and ordering detail...



Alliance Semiconductor Corporation
2595, Augustine Drive,
Santa Clara, CA 95054
Tel# 408-855-4900
Fax: 408-855-4999
www.alsc.com

Copyright © Alliance Semiconductor
All Rights Reserved
Preliminary Information
Part Number: ASM2516EVAL-KIT-A
Document Version: v1.1

Note: This product utilizes US Patent # 6,646,463 Impedance Emulator Patent issued to Alliance Semiconductor, dated 11-11-2003

© Copyright 2003 Alliance Semiconductor Corporation. All rights reserved. Our three-point logo, our name and Intelliwatt are trademarks or registered trademarks of Alliance. All other brand and product names may be the trademarks of their respective companies. Alliance reserves the right to make changes to this document and its products at any time without notice. Alliance assumes no responsibility for any errors that may appear in this document. The data contained herein represents Alliance's best data and/or estimates at the time of issuance. Alliance reserves the right to change or correct this data at any time, without notice. If the product described herein is under development, significant changes to these specifications are possible. The information in this product data sheet is intended to be general descriptive information for potential customers and users, and is not intended to operate as, or provide, any guarantee or warranty to any user or customer. Alliance does not assume any responsibility or liability arising out of the application or use of any product described herein, and disclaims any express or implied warranties related to the sale and/or use of Alliance products including liability or warranties related to fitness for a particular purpose, merchantability, or infringement of any intellectual property rights, except as express agreed to in Alliance's Terms and Conditions of Sale (which are available from Alliance). All sales of Alliance products are made exclusively according to Alliance's Terms and Conditions of Sale. The purchase of products from Alliance does not convey a license under any patent rights, copyrights; mask works rights, trademarks, or any other intellectual property rights of Alliance or third parties. Alliance does not authorize its products for use as critical components in life-supporting systems where a malfunction or failure may reasonably be expected to result in significant injury to the user, and the inclusion of Alliance products in such life-supporting systems implies that the manufacturer assumes all risk of such use and agrees to indemnify Alliance against all claims arising from such use.